



hurlcon

Space Saver Hydronic Fan Convector

Hurlcon Space Saver fan convectors can be used to provide comfortable warmth throughout the home or office and are an ideal alternative where a radiator or convector may not fit the available space. All Hurlcon hydronic fan convectors can be used to mix 'n' match with radiators, towel rails and convectors for a complete hydronic heating system.

Hurlcon Space Saver Hydronic Fan Convectors

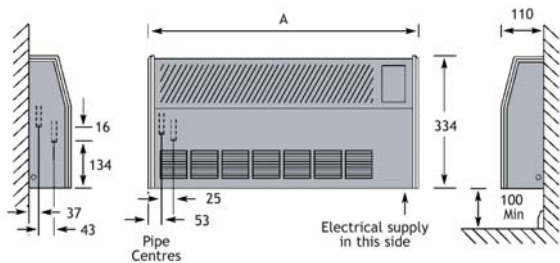
WM – Wall mount

The wall mount fan convectors have heat outputs much higher than a radiator of equivalent size making them ideal in larger areas with limited wall space or where a burst of heat is required.

The durable epoxy finish in neutral tones will fit in with almost any décor. WM14 & WM21 have a 2 speed fan, built in thermostat and low temperature cut out for greater comfort.



WM – Wall mount Specifications



All models are standard 240v, 50Hz, power requirements as per table.

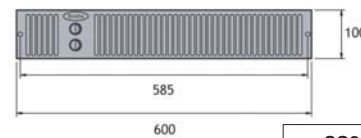
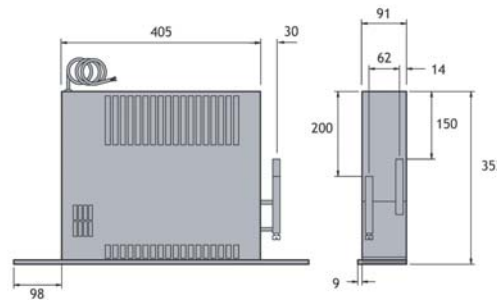
Available from:

SS9 - Kickboard

The SS9 is designed to fit into the tightest of spaces such as under kitchen cupboards, stairwells, bathroom cupboards etc. This means you can heat those 'hard to heat areas'. The attractive fascia grille includes the fan speed control for ease of use. A low temperature cut out means the 2 speed fan will only run when there is hot water available eliminating cold draughts.



SS9 - Kickboard Specifications

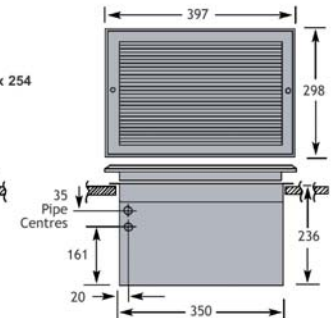
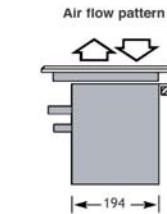


SS8 - Trench

The SS8 trench convector fits discretely in the floor thus maximising wall space. The low surface temperature hard wearing anodised grille makes it ideal under windows and doorways. A low temperature cut out means the 2 speed fan will only run when there is hot water available eliminating cold draughts. The grille is easily removable for cleaning. The small footprint allows it to be fitted between floor joists in retrofit situations.

SS8 - Trench Specifications

Floor cut out size: 357 x 254



	SS8	SS9	WM14	WM21
Heat Output (normal) kW	1.6	1.8	2.7	4.1
Heat Output (boost) kW	2.1	2.6	3.7	5.4
Approx room size m ³	35	41	61	90
Power consumption Watts	30	35	32	50

*Capacities based on 90° / 70° water temp, 20° room temp.

Care should be taken when selecting these products for bedrooms as some fan noise is present.



Order Free Fax 1800 635 781
or sales@hurlcon.com.au

Victorian Office:
Ph: 03 9765 9765
Fax: 03 9764 9009

NSW Office:
Ph: 02 9674 8544
Fax: 02 9674 8522

Queensland Office:
Ph: 07 3393 3233
Fax: 07 3393 3255

South Australian Office:
Ph: 08 8345 5755
Fax: 08 8345 5211

Western Australian Office:
Ph: 08 9258 9322
Fax: 08 9258 9344