



hurlcon

E series pool and spa pump

Following the enormous success of Hurlcon's "X Series" pumps, there was a demand for a pump that could offer Hurlcon standards of quality and durability with reduced output and at a budget price.

The Hurlcon E Series pumps now meet that need.

Hurlcon E series pool and spa pump



Modern pools and spas are a sophisticated combination of electronic and mechanical design. They place enormous demands on the components that provide the filtration, heating and performance standards that are common place today. Not all pools and spas however operate at these extreme levels. Many smaller pools and many older pools place far less stress on their various components. For these pools, Hurlcon engineers have designed an economical range of pool components.

Applications.

The 'E Series' pumps and filters will provide just the right level of performance and the famous Hurlcon robust reliability for all pools and spas up to 60,000 litres.

Quiet.

And at just 57 decibels at 1 metre they are whisper quiet.

Efficient.

Like the larger CX & TX pumps, the E Series pump produces high flow rates using less power which saves on operating costs.

Reliability.

With a 'wet-end' section based on the market-leading TX and CX Series pumps and a robust impeller and motor section, the E Series pumps easily maintain the Hurlcon reputation for reliability.

Quality Components.

All stainless steel hardware & motor shaft in the compact whisper quiet motor means a long life & reliable service. The true carbon face seal also help achieve the highest standards of reliability and durability.

Convenience.

On a smaller capacity pump, not everything should be smaller. That's why the E Series has a very large Hair and Lint Basket. It's larger than most pumps in its category so cleaning is less frequent, quicker and easier.

Range.

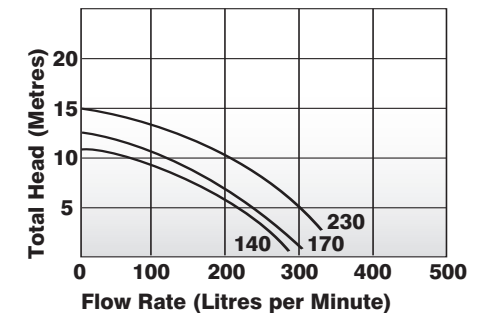
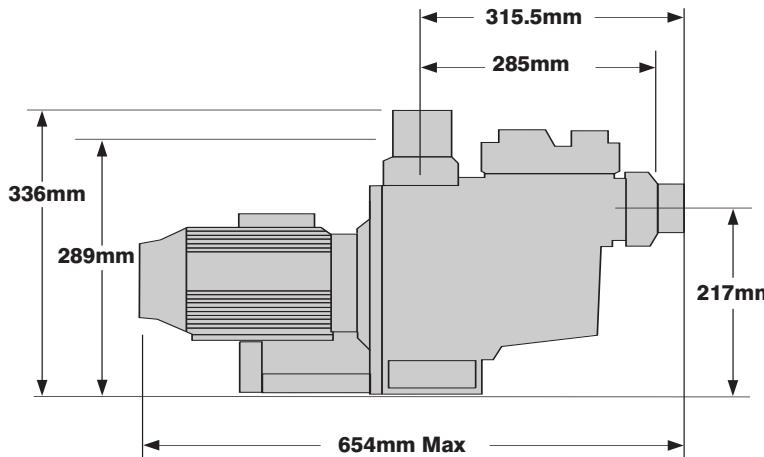
The Hurlcon E Series Pool and Spa Pumps are available in 3 sizes from 0.5 horsepower to 1 horsepower.

Warranty.

Each pump is covered by a limited 2 year warranty against defects in materials and workmanship. For full details refer to the E Series Instruction Sheet.

Specifications.

| Model | Volts | Phase | Input Watts | Horse Power | Flow RateMax @ 8 m/h | Noise @ 1mtr | Full Load Amps |
|-------|-------|--------|-------------|-------------|----------------------|--------------|----------------|
| E 140 | 240 | Single | 500 | 0.50 | 140 lpm | 57 dBA | 2.9 |
| E 170 | 240 | Single | 710 | 0.75 | 170 lpm | 57 dBA | 3.1 |
| E 230 | 240 | Single | 1010 | 1.00 | 230 lpm | 57 dBA | 4.3 |



Available from:



Order Free Fax 1800 635 781
or sales@hurlcon.com.au

Victorian Office:
Ph: 03 9765 9765
Fax: 03 9764 9009

NSW Office:
Ph: 02 9674 8544
Fax: 02 9674 8522

Queensland Office:
Ph: 07 3393 3233
Fax: 07 3393 3255

South Australian Office:
Ph: 08 8345 5755
Fax: 08 8345 5211

Western Australian Office:
Ph: 08 9258 9322
Fax: 08 9258 9344