



Hurlcon Coaxial Flue System

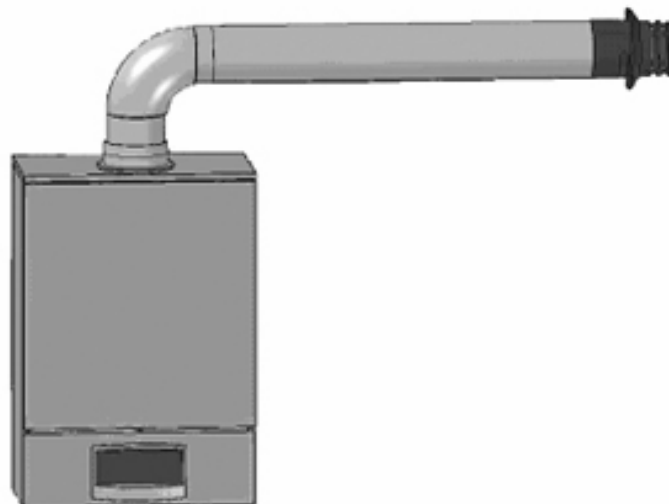
75mm / 125mm diameter

to suit

JX130 & JX160 Indoor heaters

HW130 & HW160 Indoor boilers

COAXIAL FLUE INSTALLATION INSTRUCTIONS



HURLCON Manufacturing and Sales Pty. Ltd. A.B.N. 97 007 284 504

Victoria:

Ph: (03) 9765 9765

Fax: (03) 9764 9009

New South Wales:

Ph: (02) 9674 8544

Fax: (02) 9674 8522

Queensland:

Ph: (07) 3393 3233

Fax: (07) 3393 3255

South Australia:

Ph: (08) 8345 5755

Fax: (08) 8345 5211

Western Australia:

Ph: (08) 9258 9322

Fax: (08) 9258 9344

Information and specifications subject to change without notice.

1.0	INTRODUCTION	3
1.1	NOTICE TO INSTALLERS.....	3
2.0	APPLIANCES SUITABLE FOR USE	4
3.0	GUIDE TO INSTALLATION	5
4.0	MAXIMUM INSTALLATION LENGTHS	6
5.0	INSTALLATION DIMENSIONS	7
6.0	CONNECTION TO APPLIANCE	8
7.0	CONNECTING BENDS AND STRAIGHT LENGTHS.....	9
8.0	WALL PENETRATION KIT.....	10
9.0	COWL INSTALLATION.....	12
10.0	RESTRAINING BRACKETS.....	12
11.0	WARRANTY	12

1.0 INTRODUCTION

Congratulations on your purchase of a Hurlcon Series Indoor pool heater / Indoor boiler. Correct installation of your appliance and flue system is critical for your safety and provide years of trouble free operation.

The Hurlcon coaxial flue system is designed for use with the Hurlcon Indoor pool heater or boiler. The appliance is room sealed rated avoiding the need for room ventilation and must be installed with the approved flue system.

1.1 NOTICE TO INSTALLERS

The information below is given to assist the installer with installation of the pool heater/boiler and coaxial flue system. Please read it carefully in order to make the installation as easy as possible and to ensure the system works well and conforms to the necessary government regulations.

PLEASE READ THESE INSTRUCTIONS BEFORE STARTING THE INSTALLATION.

THIS APPLIANCE MUST BE INSTALLED BY AN AUTHORISED PERSON ONLY.

The appliance and flue system must be installed and serviced to the requirements of the Local Building, Gas, Water and Electricity Authorities.

These instructions are to be held by the owner / user after installation.

This appliance must be installed in accordance with the installation instructions, local gas fitting regulations, the AGA Installation Code AS5601 / AG 601 and any other relevant statutory authorities.

Refer to data plate fitted to cowl for details.

2.0 APPLIANCES SUITABLE FOR USE WITH 75/125MM COAXIAL FLUE SYSTEM

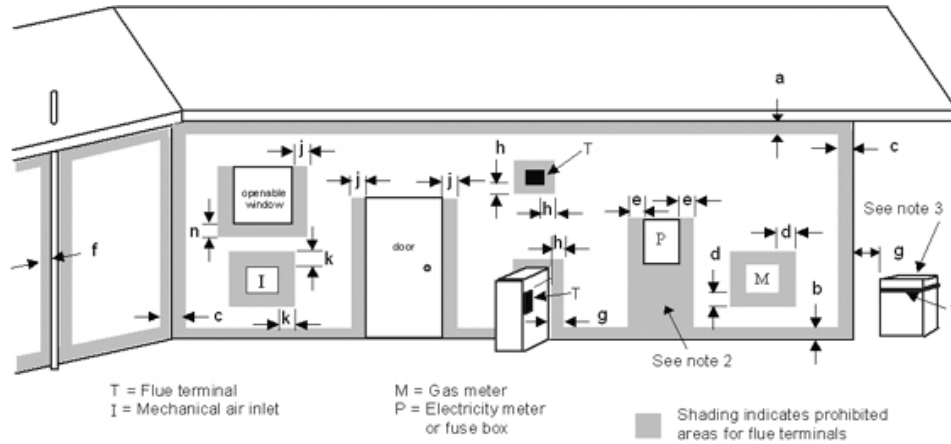
The Hurlcon 75mm/125mm coaxial flue system has been approved for use with the following appliances.

- Hurlcon JX Indoor series Pool heater – Models JX130 & JX160 Natural Gas
- Hurlcon JX Indoor series Pool heater – Models JX130 & JX160 ULPG
- Hurlcon HW Indoor series on/off Boiler – Models HW130 & HW160 Natural Gas
- Hurlcon HW Indoor series on/off Boiler – Models HW130 & HW160 ULPG
- Hurlcon HW Indoor series Modulating Boiler – Models HW130 & HW160 Natural Gas
- Hurlcon HW Indoor series Modulating Boiler – Models HW130 & HW160 ULPG

3.0 GUIDE TO INSTALLATION

Location of Flue Terminals – An extract from AG 601

Minimum Clearances Required For Powered Flue, Balanced Flue Terminals or the Terminals of Room Sealed Appliances.



MIN. CLEARANCE
(mm)

A	Below eaves, balconies and other projections	
	Appliances up to 50 MJ/h input	200
	Appliances over 50 MJ/h input	300
B	From the ground, <u>above a balcony or</u> other surface	300
C	From a return wall or external corner	500
D	From a gas meter (M)	1000
E	From an electricity meter or fuse box (P)	500
F	From a drain pipe or soil pipe	75
G	Horizontally from any building structure (unless appliance approved for closer installation) or obstruction facing a terminal	500
H	From any other flue terminal, cowl, or combustion air intake	300
I	Horizontally from an openable window, door, non-mechanical air inlet, or any other opening into a building with the exception of sub-floor ventilation	
	Appliances up to 150 MJ/h input	300
	Appliances over 150 MJ/h but less than 200 MJ/h input	500
	Appliances over 200 MJ/h input	1500
	All fan-assisted flue appliances, in direction of discharge	1500
K	From a mechanical air inlet, including a spa blower	1000
N	Vertically below an openable window, non-mechanical air inlet, or any other opening into a building with the exception of sub-floor ventilation	See table

CLEARANCE 'n' (mm)			
Space heaters	All other appliances		
Up to 50 MJ/h input	Up to 50 MJ/h input	Over 50 MJ/h & up 150 MJ/h	Over 150 MJ/h input
150	500	1000	1500

- NOTES: 1 All distances are measured to the nearest part of the terminal.
 2 Prohibited area below electricity meter or fuse box extends to ground level.
 3 See Clause 5.13.6.6 for restrictions on a flue terminal under a covered area.
 4 See Appendix J, Figures J1(a) and J2(a), for clearances required from a flue terminal to an LP Gas cylinder. A flue terminal is considered to be a source of ignition.

The above information is part of AG 601 FIGURE 5.3 as supplied by the AGA and is provided as an indication of the correct clearances only. Please refer to the latest issue of AG 601.

4.0 MAXIMUM INSTALLATION LENGTHS

THIS APPLIANCE FLUE SYSTEM MUST BE INSTALLED BY AN AUTHORISED PERSON.

The boiler / pool heater is supplied with a spigot connection which enables fitting to the approved coaxial flue system. Because the appliance draws its own combustion air from outside using the outer skin of the flue, no ventilation requirements are needed for the heater.

Only the approved flue system shall be used with the appliance. Use of other flue systems will fail to meet AGA installation codes and void warranty.

The coaxial flue sizes are 75mm inner and 125mm diameter outer.

Ensure fluing is securely fixed.

Flue lengths must not exceed the maximum lengths shown below or appliance warranty will be void.

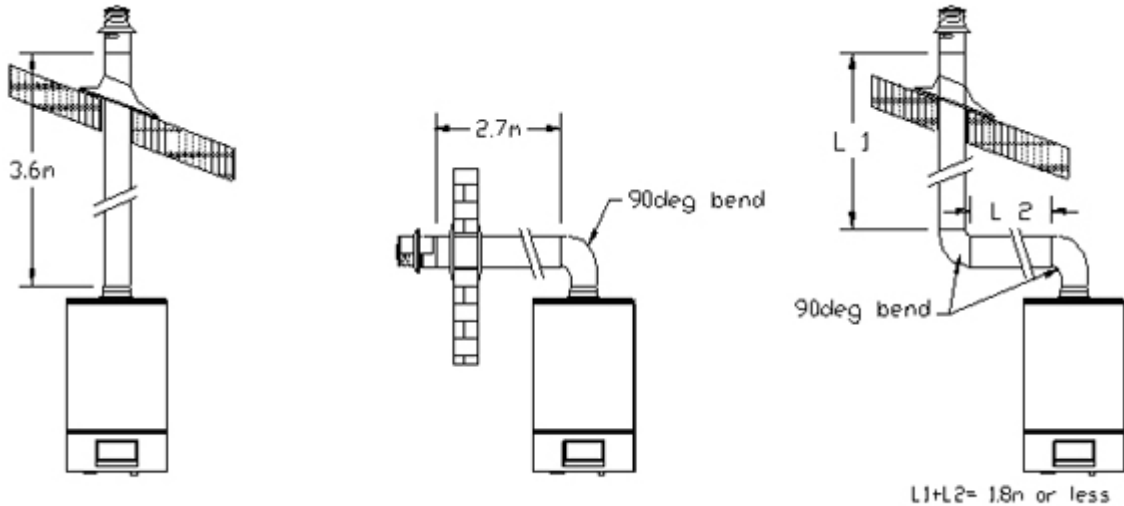
DO NOT place objects near or on flue.

DO NOT dry objects on the flue.

The maximum flue runs are as shown. Shorter flue lengths can be run with no modifications to the appliance.

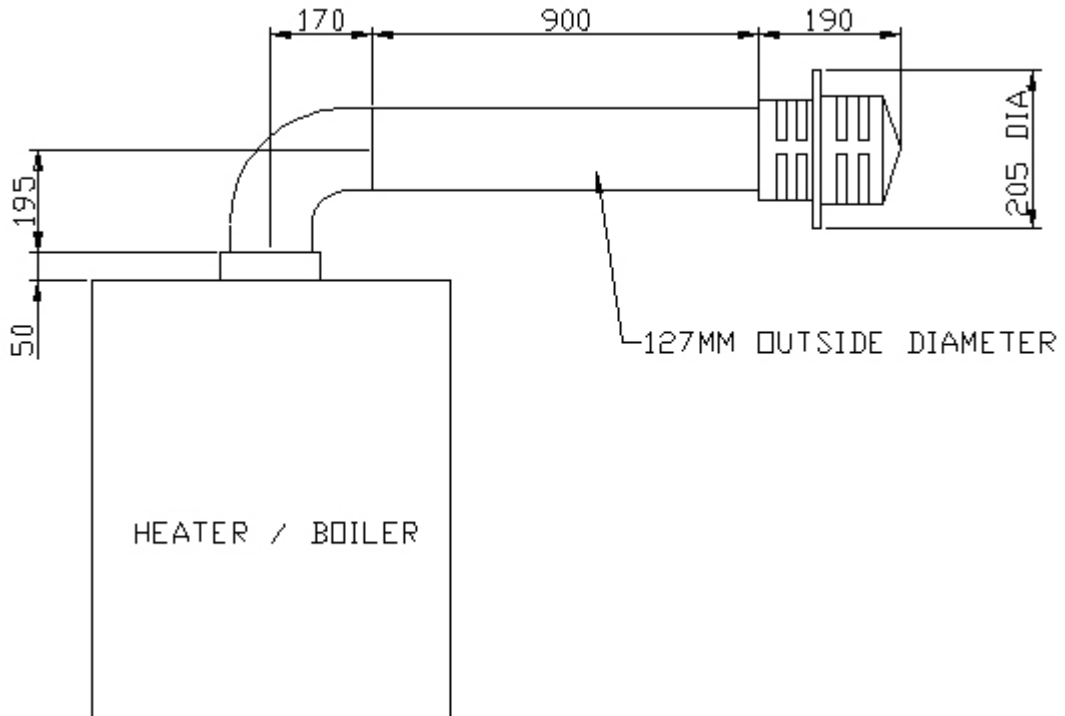
A maximum straight flue length of 3.6m + cowl can be installed. For each 90deg bend installed deduct 0.9m from the allowable flue length.

For variations to the following please contact your nearest Hurlcon office.

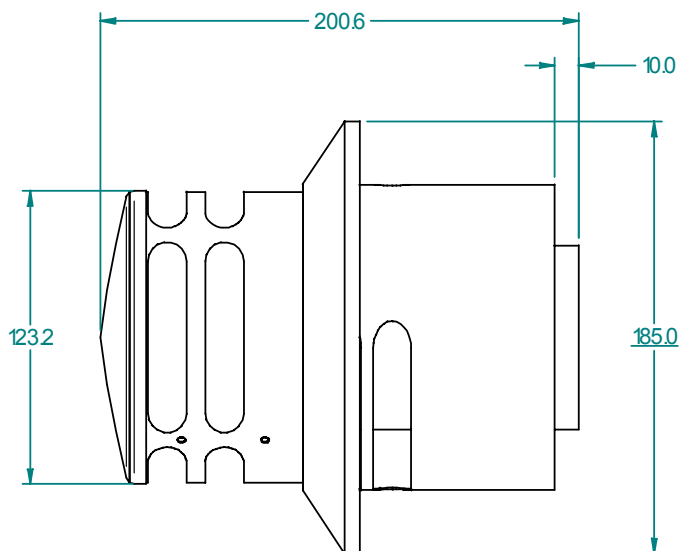


5.0 INSTALLATION DIMENSIONS

Flue are supplied in standard lengths of 0.9m and can be cut to length on site.



Cowl dimensions



6.0 CONNECTION TO APPLIANCE

Pending installation connection to the appliance will either consist of a 90deg bend set or a 0.9m straight flue length set.

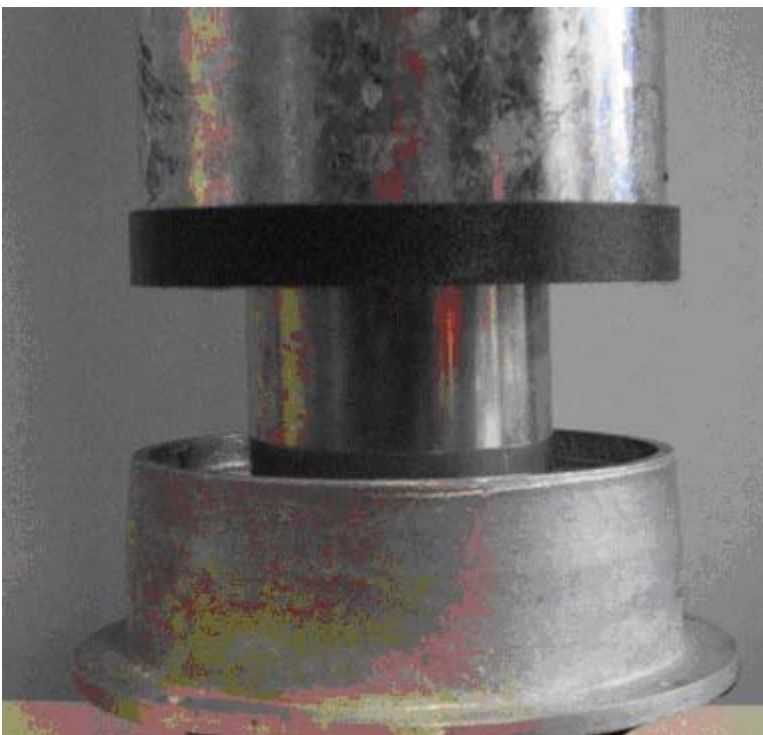
Connection is the same for either application.

Socket connect the 75mm bend or 75mm straight flue length onto the flue starter collar. Insertion depth to be 50mm. Ensure connection is tight and firm.

Apply 18mm foam tape to the outer perimeter at the base of 125mm bend or 125mm diameter straight length of flue (Tape the non reduced female end). Tape to be applied fully around the base to ensure a positive seal.



Insert flue (taped end) fully into casting located on top of appliance. Insertion depth 20mm minimum.

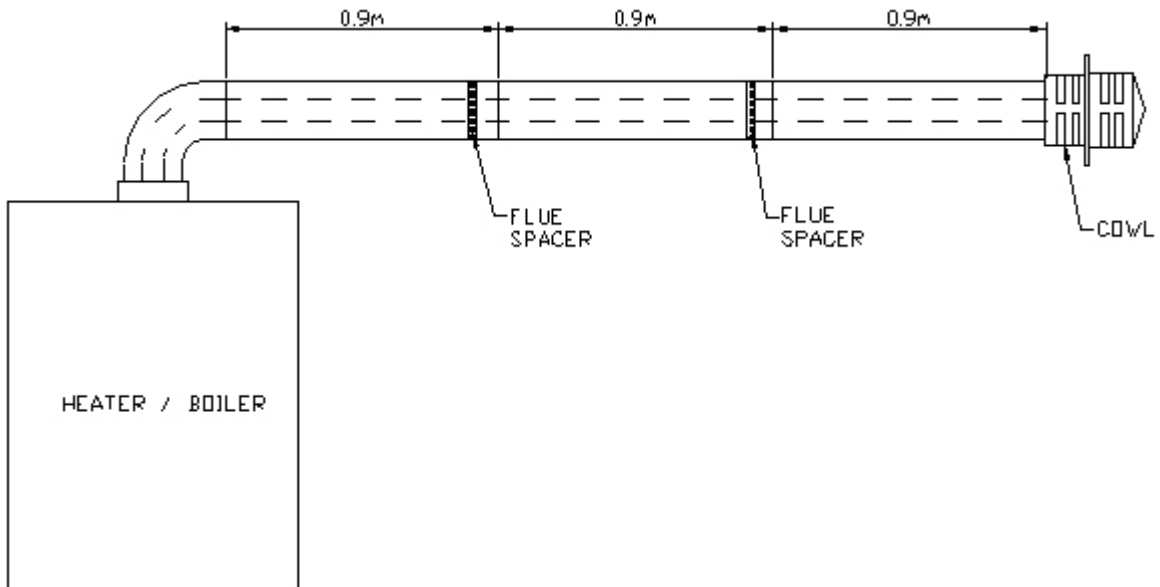


7.0 CONNECTING BENDS AND STRAIGHT LENGTHS

Further bends and straight lengths can easily be connected by sliding the female end of the next flue length over the currently installed flue piece.

Connections must be inserted fully (50mm) to ensure a good seal.

Straight lengths can be cut to suit installation. Remove excess length from female end of flue length.



Where 2 or more straight lengths are fitted in the one direction flue spacer brackets must be fitted. Slide flue spacer bracket over male end of 75mm flue length. Locate the spacer just after the reduced end



8.0 WALL PENETRATION KIT

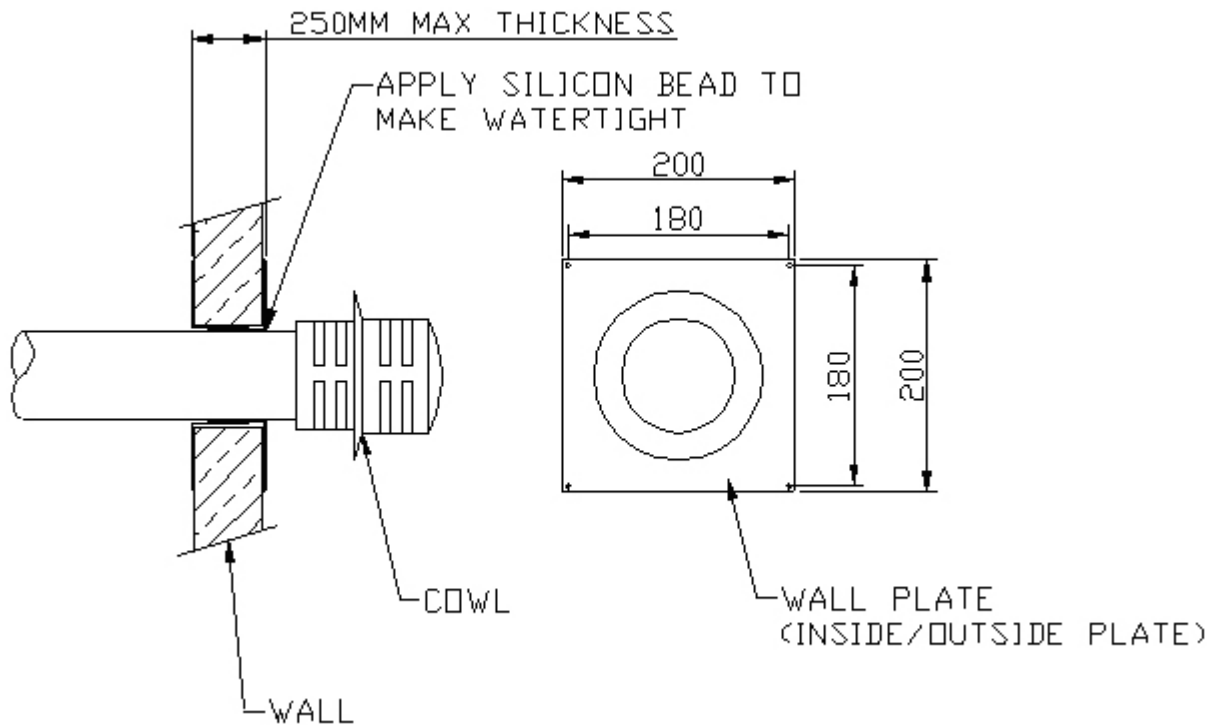
Wall penetration kit allows access through various wall types and can be used in a horizontal or vertical installation. Entry through the wall plates is at 90degrees to the wall/ ceiling.

The wall penetration kit cannot be used for vertically exiting a roof. An approved roof sealing gland must be used.

Penetration kit plates are powdercoated and can be painted over if required.

Maximum wall thickness 250mm

Apply silicon bead on external face to make connection watertight.



9.0 COWL INSTALLATION

The coaxial flue system is supplied with a common cowl suitable for vertical or horizontal installation. Horizontal installation requires the fitting of 2 rain covers. The cowl is fitted by sliding the cowl over the male ends of the flue piping.

VERTICAL INSTALLTION

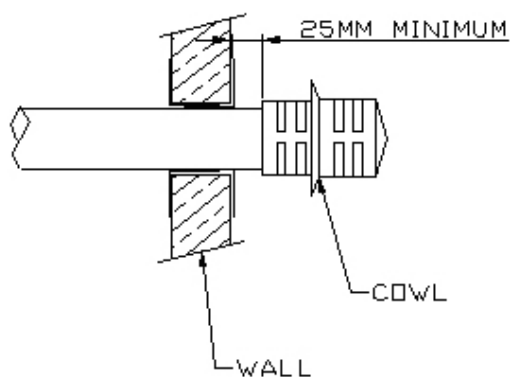


HORIZONTAL INSTALLTION

Covers are fitted to the top slots in cowl to prevent water entry. Pop rivet covers into place using 2 off pop rivets per cover. When cowl is fitted ensure covers are located at top of cowl.



Minimum installation of cowl from wall



10.0 RESTRAINING BRACKETS

Horizontal runs of 1.8m or more must be supported with hanging / mounting brackets.
Brackets must suit pipe diameter of 125mm and be of the clamping type.
Brackets must not be pop riveted or screwed into the flue.

11.0 ONE YEAR LIMITED WARRANTY

GENERAL CONDITIONS

Hurlcon cover your coaxial flue system with a limited 1 year warranty against defective materials and workmanship from the date of purchase (plus 30 days to allow for installation). Proof of purchase date must be provided in order to substantiate warranty claim.

The warranty includes 12 months in field labour costs where the coaxial flue system is installed in a capital city metropolitan area. Labour charges apply to boilers installed outside of these areas. Any costs for transport of faulty or replacement parts, removal or reinstallation are the owner's responsibility.

Hurlcon assumes no liability for consequential damages of any kind.

Like your motor vehicle, the coaxial flue system should be periodically checked to keep it operating in top condition and so your appliance runs at maximum efficiency. An annual service for your gas appliance by one of our qualified service technicians is highly recommended.

LIMITATIONS

All warranties only apply if the coaxial flue system is installed and operated in complete compliance with the installation and operating instructions. The warranty shall not apply to any components or parts that have been subject to accident, negligence, alteration, abuse or misuse.

ADDITIONAL WARRANTY EXCLUSIONS:

This warranty does not cover failures or malfunctions resulting from:

- Failure to properly install the coaxial flue system in accordance with our printed instructions provided.
- Abuse, alteration, accident, fire, flood and the like. Examples of misuse or neglect include, but are not limited to, physical damage from external force, not following installation instructions, leaving covers off for extended periods of time, inappropriate application of the boiler / pool heater, etc.
- Incorrect gas pressure or gas supply.
- Chemical contamination of combustion air.

No person is authorised to make any warranties on Hurlcon's behalf. To place a service call, contact your nearest Hurlcon office.

Hurlcon Pty. Limited

Victoria: Ph: (03) 9765 9765 Fax: (03) 9764 9009	New South Wales: Ph: (02) 9674 8544 Fax: (02) 9674 8522	Queensland: Ph: (07) 3393 3233 Fax: (07) 3393 3255	South Australia: Ph: (08) 8345 5755 Fax: (08) 8345 5211	Western Australia: Ph: (08) 9258 9322 Fax: (08) 9258 9344
---	--	---	--	--

Website: www.hurlcon.com.au
Email: service@hurlcon.com.au